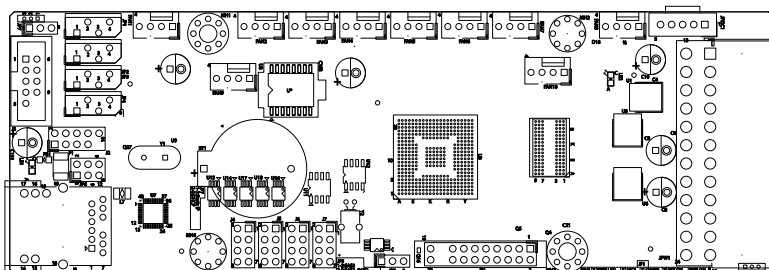


# SUPERO<sup>®</sup>

CSE-PTJBOD-CB3



JBOD POWER BOARD

USER'S GUIDE

REVISION 1.0

The information in this User's Manual has been carefully reviewed and is believed to be accurate. The vendor assumes no responsibility for any inaccuracies that may be contained in this document, makes no commitment to update or to keep current the information in this manual, or to notify any person or organization of the updates. **Please Note: For the most up-to-date version of this manual, please see our website at [www.supermicro.com](http://www.supermicro.com).**

Super Micro Computer, Inc. ("Supermicro") reserves the right to make changes to the product described in this manual at any time and without notice. This product, including software and documentation, is the property of Supermicro and/or its licensors, and is supplied only under a license. Any use or reproduction of this product is not allowed, except as expressly permitted by the terms of said license.

IN NO EVENT WILL SUPERMICRO BE LIABLE FOR DIRECT, INDIRECT, SPECIAL, INCIDENTAL, SPECULATIVE OR CONSEQUENTIAL DAMAGES ARISING FROM THE USE OR INABILITY TO USE THIS PRODUCT OR DOCUMENTATION, EVEN IF ADVISED OF THE POSSIBILITY OF SUCH DAMAGES. IN PARTICULAR, SUPERMICRO SHALL NOT HAVE LIABILITY FOR ANY HARDWARE, SOFTWARE, OR DATA STORED OR USED WITH THE PRODUCT, INCLUDING THE COSTS OF REPAIRING, REPLACING, INTEGRATING, INSTALLING OR RECOVERING SUCH HARDWARE, SOFTWARE, OR DATA.

Any disputes arising between manufacturer and customer shall be governed by the laws of Santa Clara County in the State of California, USA. The State of California, County of Santa Clara shall be the exclusive venue for the resolution of any such disputes. Super Micro's total liability for all claims will not exceed the price paid for the hardware product.

California Best Management Practices Regulations for Perchlorate Materials: This Perchlorate warning applies only to products containing CR (Manganese Dioxide) Lithium coin cells. "Perchlorate Material-special handling may apply. See [www.dtsc.ca.gov/hazardouswaste/perchlorate](http://www.dtsc.ca.gov/hazardouswaste/perchlorate)"

---

**WARNING: Handling of lead solder materials used in this product may expose you to lead, a chemical known to the State of California to cause birth defects and other reproductive harm.**

---

Manual Revision 1.0  
Release Date: September 23 2014

Unless you request and receive written permission from Super Micro Computer, Inc., you may not copy any part of this document.

Information in this document is subject to change without notice. Other products and companies referred to herein are trademarks or registered trademarks of their respective companies or mark holders.

Copyright © 2014 by Super Micro Computer, Inc.  
All rights reserved.

**Printed in the United States of America**

---

## Table of Contents

Contacting Supermicro.....	v
Returning Merchandise for Service.....	vi
<b>Chapter 1 Safety Guidelines</b>	
1-1 ESD Safety Guidelines .....	1-1
1-2 General Safety Guidelines .....	1-1
1-3 An Important Note to Users .....	1-2
1-4 Introduction to the CSE-PTJBOD-CB3 Power Board .....	1-2
<b>Chapter 2 Components, Connectors, Jumpers and LEDs</b>	
2-1 Components and Connectors .....	2-1
2-2 Component and Connector Definitions.....	2-2
2-3 Connectors Jumpers and LED Indicators.....	2-4
<b>Chapter 3 Connecting to the Front and Rear Backplanes</b>	
3-1 SC847DJ JBOD Cabling.....	3-1
E16 I <sup>2</sup> C Cabling.....	3-1
E26 I <sup>2</sup> C Cabling.....	3-2
3-2 SC847B JBOD Cabling.....	3-3
SAS2/SAS3 I <sup>2</sup> C Cabling in the SC847B JBOD Chassis .....	3-3
3-3 SC847 Cabling .....	3-5
SAS I <sup>2</sup> C Cabling in the SC847 Chassis.....	3-5
3-4 SC417B Cabling.....	3-5
SAS2/SAS3 I <sup>2</sup> C Cabling in the SC417B Chassis .....	3-5
<b>Chapter 4 System Details</b>	
4-1 Chapter Overview .....	4-1
4-2 Control Panel .....	4-1
Control Panel Buttons .....	4-1
4-3 Control Panel LEDs .....	4-2
4-4 Power Up/Power Down Sequences.....	4-4
Power Up Sequences .....	4-4
Power Down Sequence .....	4-4
CSE-PTJBOD-CB3 IPMI Static IP to DHCP Setting .....	4-5

## Returning Merchandise for Service

A receipt or copy of your invoice marked with the date of purchase is required before any warranty service will be rendered. You can obtain service by calling your vendor for a Returned Merchandise Authorization (RMA) number. When returning to the manufacturer, the RMA number should be prominently displayed on the outside of the shipping carton, and mailed prepaid or hand-carried. Shipping and handling charges will be applied for all orders that must be mailed when service is complete.

For faster service, RMA authorizations may be requested online (<http://www.supermicro.com/support/rma/>).

Whenever possible, repack the backplane in the original Supermicro box, using the original packaging materials. If these are no longer available, be sure to pack the backplane in an anti-static bag and inside the box. Make sure that there is enough packaging material surrounding the backplane so that it does not become damaged during shipping.

This warranty only covers normal consumer use and does not cover damages incurred in shipping or from failure due to the alteration, misuse, abuse or improper maintenance of products.

During the warranty period, contact your distributor first for any product problems.

## Contacting Supermicro

### Headquarters

Address: Super Micro Computer, Inc.  
980 Rock Ave.  
San Jose, CA 95131 U.S.A.

Tel: +1 (408) 503-8000

Fax: +1 (408) 503-8008

Email: [marketing@supermicro.com](mailto:marketing@supermicro.com) (General Information)  
[support@supermicro.com](mailto:support@supermicro.com) (Technical Support)

Website: [www.supermicro.com](http://www.supermicro.com)

### Europe

Address: Super Micro Computer B.V.  
Het Sterrenbeeld 28, 5215 ML  
's-Hertogenbosch, The Netherlands

Tel: +31 (0) 73-6400390

Fax: +31 (0) 73-6416525

Email: [sales@supermicro.nl](mailto:sales@supermicro.nl) (General Information)  
[support@supermicro.nl](mailto:support@supermicro.nl) (Technical Support)  
[rma@supermicro.nl](mailto:rma@supermicro.nl) (Customer Support)

Website: [www.supermicro.nl](http://www.supermicro.nl)

### Asia-Pacific

Address: Super Micro Computer, Inc.  
3F, No. 150, Jian 1st Rd.  
Zhonghe Dist., New Taipei City 235  
Taiwan (R.O.C)

Tel: +886-(2) 8226-3990

Fax: +886-(2) 8226-3992

Email: [support@supermicro.com.tw](mailto:support@supermicro.com.tw)

Website: [www.supermicro.com.tw](http://www.supermicro.com.tw)

## Notes

## Chapter 1

### Safety Guidelines

To avoid personal injury and property damage, carefully follow all the safety steps listed below when accessing your system or handling the components.

#### 1-1 ESD Safety Guidelines

*Electrostatic Discharge (ESD) can damage electronic components. To prevent damage to your system, it is important to handle the backplane very carefully. The following measures are generally sufficient to protect your equipment from ESD.*

- Use a grounded wrist strap designed to prevent static discharge.
- Touch a grounded metal object before removing a component from the antistatic bag.
- Handle the power board the edges only; do not touch the components, peripheral chips, memory modules or gold contacts.
- When handling chips or modules, avoid touching their pins.
- Put the power board and peripherals back into their antistatic bags when not in use.

#### 1-2 General Safety Guidelines

- Always disconnect power cables before installing or removing any components from the computer, including the backplane.
- Disconnect the power cable before installing or removing any cables from the backplane.
- Make sure that the backplane is securely and properly installed on the motherboard to prevent damage to the system due to power shortage.

## **1-3 An Important Note to Users**

All images and layouts shown in this user's guide are based upon the latest PCB Revision available at the time of publishing. The card you have received may or may not look exactly the same as the graphics shown in this manual.

## **1-4 Introduction to the CSE-PTJBOD-CB3 Power Board**

The CSE-PTJBOD-CB3 model power board has been designed to utilize the most up-to-date technology available, providing your system with reliable, high-quality performance.

The CSE-PTJBOD-CB3 allows the user to remotely control their jobs via IPMI, such as powering on/off the server, controlling fan speeds and reading temperature data from the backplane.

This manual reflects the CSE-PTJBOD-CB3 Revision 1.02 power board, the most current release available at the time of publication. Always refer to the Supermicro web site at [www.supermicro.com](http://www.supermicro.com) for the latest updates, compatible parts and supported configurations.



## Chapter 2

### Components, Connectors, Jumpers and LEDs

#### 2-1 Components and Connectors

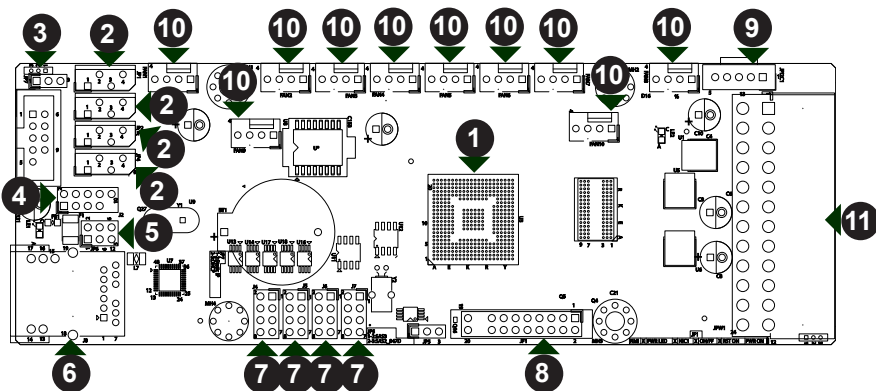


Figure 2-1: Components and Connectors on the CSE-PTJBOD-CB3

#### Components and Connectors

- |  |   |
|--|---|
| 1. BMC Chip                                      | 6. IPMI LAN Connector: J8                           |
| 2. SAS2/SAS3 I <sup>2</sup> C Connectors JP1-JP4 | 7. SC847D SAS2 I <sup>2</sup> C Connectors: J4 - J7 |
| 3. Manufacturing Test Connector: J3              | 8. Control Panel Connector: JF1                     |
| 4. Manufacturer's USB Test Connector: FB1        | 9. PMBus Connector: JPI <sup>2</sup> C1             |
| 5. IPMI LAN LED Header: JP6                      | 10. Fan Connectors: FAN1 - FAN10                    |
|  | 11. ATX Power Connector: JPW1                       |

## 2-2 Component and Connector Definitions

### 1. BMC Chip

The Baseboard Management Controller (BMC) chip monitors the physical state of a system and provides communication with the system administrator through an independent connection.

### 2. SAS2/SAS3 I<sup>2</sup>C Connectors

These connectors are designated JP1-JP4 and allow the power board to be connected to up to four SAS2/SAS3 backplanes.

### 3. Manufacturing Test Connector

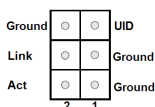
This connector is designated J3 and is for Supermicro manufacturing use only.

### 4. Manufacturer's USB Test Connector

This connector is designated FB1 and is for Supermicro manufacturing use only.

### 5. IPMI LAN LED Header

This connector is designated JP6 and is used to connect to the LED indicators on the chassis using cable CBL-NTWK-0584 or CBL-NTWK-0587.



## 6. IPMI LAN Connector

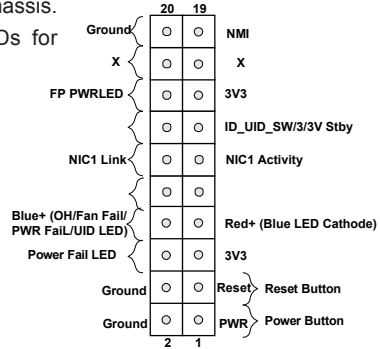
The Intelligent Platform Management Interface (IPMI) LAN connector is designated J8 and supports connectivity with a local network using cable CBL-NTWK-0584 or CBL-NTWK-0587.

## 7. SC847D SAS2 I2C Connectors

The backplane connectors are designated J4-J7 and allow the power board to be connected to up to four SC847D expanders.

## 8. Control Panel Connector

This connector is designated JF1 and connects to the control panel on the chassis. See Section 4-3 Control Panel LEDs for additional information



## 9. PMBus Connector

This connector is designated JPI2C1 and connects the power distributor to the Power Management Bus (PMBus).

## 10. Fan Connectors

The fan connectors supply power to the fans and are designated FAN1-FAN10.

## 11. ATX Power Connector

The ATX power connector is designated JPW1.

## 2-3 Connectors Jumpers and LED Indicators

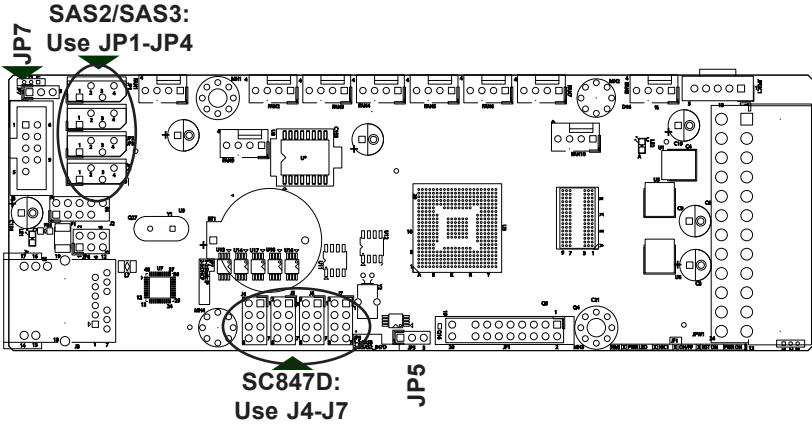
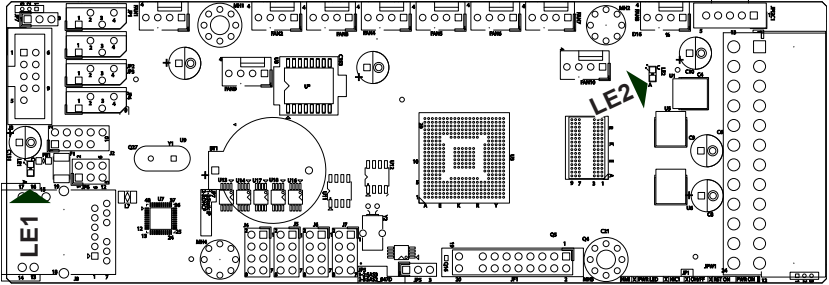


Figure 2-2: CSE-PTJBOD-CB3 Connectors and Jumpers

Front SAS2/SAS3 and SC847D Jumpers	
Jumper	Description
JP7	Pins 1-2: IPMI factory mode, IP 192.168.1.99 Pins 2-3: User mode (static/DHCP)
JP5	Pins 1-2: SAS3 enabled Pins 2-3: SAS2 enabled and SC847D

When enabling SAS2/SAS3 functionality, use connectors JP1-JP4, and set the JP5 jumper to pins 1-2 (SAS3) or pins 3-4 (SAS2).

When an SC847D chassis is being used, use connectors J4-J7 and set the JP5 jumper to pins 2-3.

**Figure 2-3: CSE-PTJBOD-CB3 LED Indicators**

LED Indicators	
LED	Description
LE1	Heartbeat LED: A blinking LED indicates BMC activity
LE2	Power LED: DC power indicator

**Notes**

## Chapter 3

# Connecting to the Front and Rear Backplanes

### 3-1 SC847D JBOD Cabling

#### E16 I<sup>2</sup>C Cabling

Use the following diagram to connect the CSE-PTJBOD-CB3 to the front and rear backplanes in SC847D JBOD E16 model chassis.

Jumper Settings	
Jumper	Setting
JP5	Pins 1-2: SAS3 enabled Pins 2-3: SAS2 enabled and SC847

When enabling SAS2/SAS3 functionality, use connectors JP1-JP4, (see Page 2-4) and set the JP5 jumper to pins 1-2 (SAS3) or pins 3-4 (SAS2).

When an SC847D chassis is being used, use connectors J4-J7 (see Page 2-4) and set the JP5 jumper to pins 2-3.

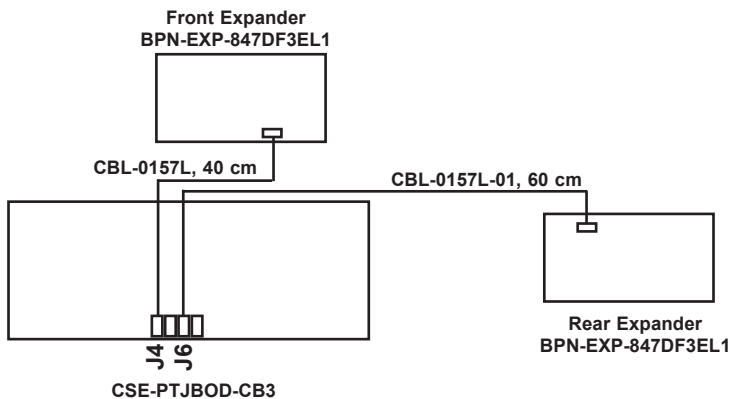


Figure 3-1: E16 I<sup>2</sup>C Cabling

## E26 I<sup>2</sup>C Cabling

Use the following diagram to connect the CSE-PTJBOD-CB3 to the front and rear backplanes in SC847D-JBOD-E26 model chassis.

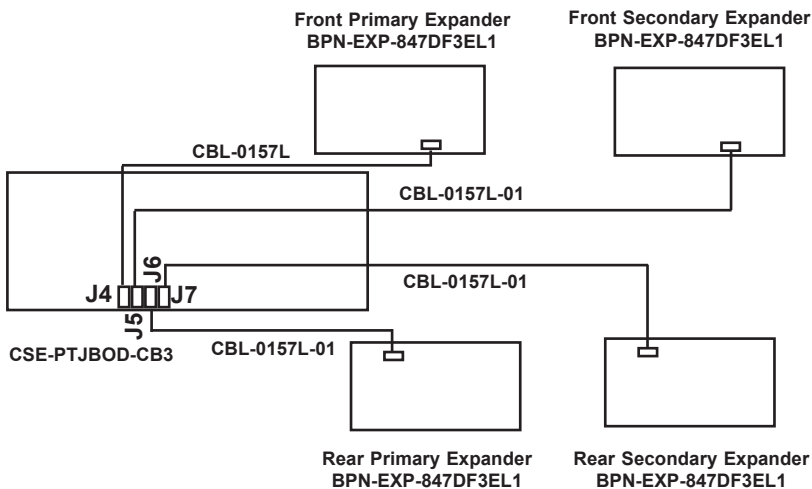


Figure 3-2: E26 I<sup>2</sup>C Cabling



## 3-2 SC847 JBOD Cabling

### SAS3 I<sup>2</sup>C Cabling in the SC847 JBOD Chassis

Use the diagram below to connect the CSE-PTJBOD-CB3 to the front and rear backplanes in the SC847 JBOD chassis.

Jumper Settings	
Jumper	Setting
JP5	Pins 1-2: SAS3 enabled Pins 2-3: SAS2 enabled and SC847D

When enabling SAS2/SAS3 functionality, use connectors JP1-JP4, (see Page 2-4) and set the JP5 jumper to pins 1-2 (SAS3) or pins 3-4 (SAS2).

When an SC847D chassis is being used, use connectors J4-J7 (see Page 2-4) and set the JP5 jumper to pins 2-3.

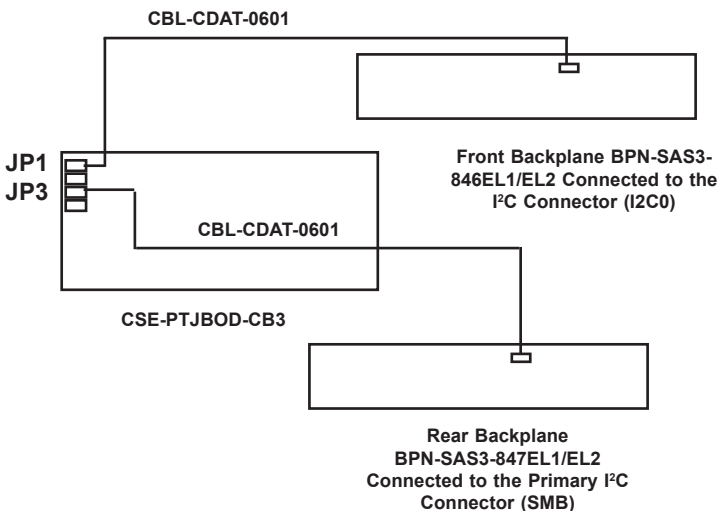


Figure 3-3: SAS3 I<sup>2</sup>C Cabling in the SC847 JBOD Chassis

### 3-3 SC847 Cabling

#### SAS3 I<sup>2</sup>C Cabling in the SC847B Chassis

Use the diagram below to connect the I<sup>2</sup>C cabling. Ensure that the JP5 jumper on the CSE-PTJBOD-CB3 is cabled correctly according to the table below.

Jumper Settings	
Jumper	Setting
JP5	Pins 1-2: SAS3 setting (Default) Pins 2-3: SAS2 and SC847D setting

When enabling SAS2/SAS3 functionality, use the connectors on the upper left of the CSE-PTJBOD-CB3 power board (See Page 2-4) and set the JP5 jumper as shown in the chart above.

When an SC847D chassis is being used, use the connectors along the bottom edge of the power board (See Page 2-4) and set the JP5 jumper as shown in the chart above.

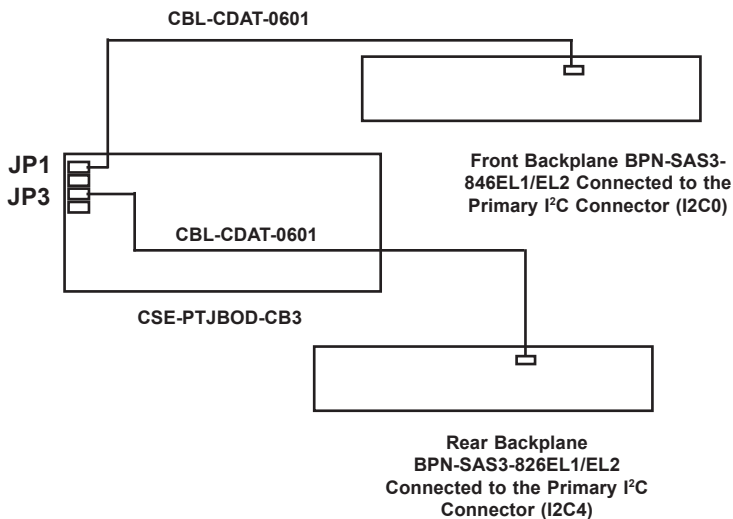


Figure 3-4: SAS3 I<sup>2</sup>C Cabling in the SC847B Chassis

### 3-4 SC417B Cabling

#### SAS3 I<sup>2</sup>C Cabling in the SC417B Chassis

Use the diagram below to connect the I<sup>2</sup>C cabling. Ensure that the JP5 jumper on the CSE-PTJBOD-CB3 is cabled correctly according to the table below.

Jumper Settings	
Jumper	Setting
JP5	Pins 1-2: SAS3 setting (Default) Pins 2-3: SAS2 and SC847D setting

When enabling SAS2/SAS3 functionality, use the connectors on the upper left of the CSE-PTJBOD-CB3 power board (See Page 2-4) and set the JP5 jumper as shown in the chart above.

When an SC847D chassis is being used, use the connectors along the bottom edge of the power board (See Page 2-4) and set the JP5 jumper as shown in the chart above.

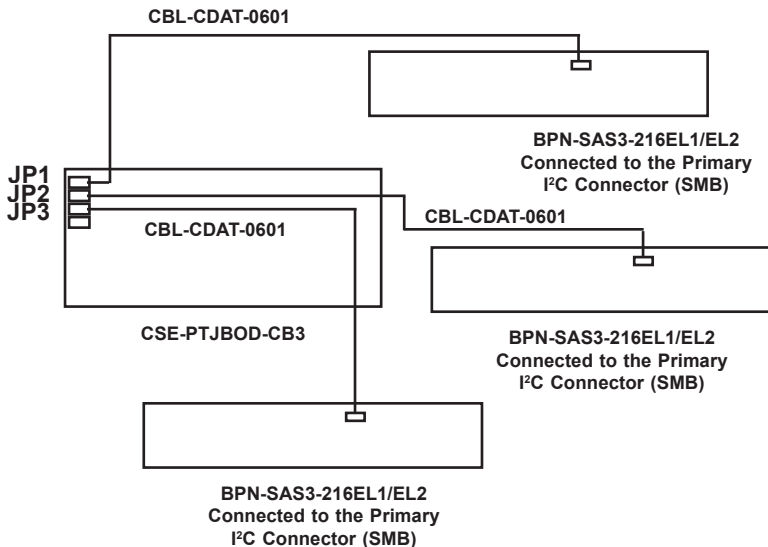


Figure 3-5: SAS3 I<sup>2</sup>C Cabling in the SC417B Chassis

## Notes

## Chapter 4

# System Details

### 4-1 Chapter Overview

This chapter provides information on system components which are directly affected by the CSE-PTJBOD-CB3 power board. Topics covered are the control panel, power up and power down sequences and IPMI.

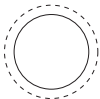
### 4-2 Control Panel

#### Control Panel Buttons

There are two push-buttons located on the left handle of the chassis. These are (in order from top to bottom) a power on/off button and a UID/IP combination reset button.



**Power:** The main power button is used to apply or remove power from the power supply to the server system. Turning off system power with this button removes the main power but keeps standby power supplied to the system. Therefore, you must unplug system before servicing.



**UID:** Press to toggle the UID function on and off. IPMI IP factory default: Press and hold for ten seconds.

### 4-3 Control Panel LEDs

The control panel is located on the left handle of the SC847DJ chassis and has five LEDs. These LEDs provide you with critical information related to different parts of the system. This section explains what each LED indicates when illuminated and any corrective action you may need to take.



**Power:** Indicates power is being supplied to the system's power supply units. This LED should normally be illuminated when the system is operating.



**NIC1:** Indicates network activity on GLAN1 when flashing.



**Information LED:**

Informational LED	
Status	Description
Solid red	An overheat condition has occurred. (This may be caused by cable congestion).
Blinking red (1Hz)	Fan failure, check for an inoperative fan.
Blinking red (0.25Hz)	Power failure, check for a non-operational power supply.
Solid blue	Local UID has been activated. Use this function to locate the server in a rack mount environment.
Blinking blue (300 msec)	Remote UID is on. Use this function to identify the server from a remote location.
Blinking blue (500 msec)	System is ready to power up. See Section 4-4 of this manual.



**Power Failure:** When this LED flashes, it indicates a failure in the redundant power supply.

## 4-4 JBOD Power Up/Power Down Sequences

### Power Up Sequences

#### *First Use or Power Cord Plug-In*

1. Plug the power cords into the rear of the power supplies
2. Wait until blue Information LED starts to blink
3. Press the power button once\*
4. The CSE-PTJBOD-CB3 will initiate the power up sequence in three seconds

\* If the CSE-PTJBOD-CB3 already has power, the user may power up the chassis without waiting for the Blue UID LED

#### *After Normal Shutdown by IPMI or Power Button*

1. Press the power button once
2. The CSE-PTJBOD-CB3 will initiate the power up sequence in three seconds

#### *After a Power Loss*

The system will power up automatically approximately fifteen seconds after the power returns

### Power Down Sequence

1. Hold down the power button. The blue UID LED will begin blinking. Continue to hold the power button
2. Release power button after blue LED stops blinking and goes dark
3. The shutdown sequence will begin and shut down the system within ten seconds



## 4-5 CSE-PTJBOD-CB3 IPMI Static IP to DHCP Setting

### *IP Address to DHCP Setting*

1. Download the utility from the Supermicro website or technical support
2. Extract the file to a known folder.
3. By default, the CSE-PTJBOD-CB3 will be configured in static IP 192.168.1.99
4. Change the host to static IP as 192.168.1.10
5. Go to the IPMI website and select the *Configuration* tab and then select the *Network* page
6. Change the setting from *Static* to *DHCP* mode  
If default website is not responding, press the reset button for more than ten seconds to reset to default. You will observe that the fan speed will slow and then return to normal. Continue to change to DHCP mode when the fan reaches normal speed
7. Save the new setting
8. Change the host IP back to DHCP mode
9. Determine the DHCP IP address of the host, for example 10.1.1.50
10. Run the command prompt with administrative privileges
11. Go to the utility folder and type in:  
findit 00-25-90-xx-xx-xx yy.zz.255.255  
Where: xx-xx-xx is, enter the CSE-PTJBOD-CB3 MAC ID. yy.zz represents the first two octets of your host IP.  
Example: findit 00-25-90-xx-xx-xx 10.1.255.255
12. The utility will return the IP address of the CSE-PTJBOD-CB3. Enter the IP in browser and access the IPMI web GUI



```
C:\Supermicro\Find_IPMI_IP>findit
CMD: findit.bat <IPMI MAC address> <Broadcast IP address>
Ex: findit.bat 00-25-90-88-99-66 10.133.255.255
----
Note: Start a Command Prompt as an Administrator
Note: Calculate broadcast IP address by using http://www.subnet-calculator.com

C:\Supermicro\Find_IPMI_IP>findit 00-25-90-8b-2f-d7 10.1.255.255
10.1.16.237 00-25-90-8b-2f-d7 dynamic
C:\Supermicro\Find_IPMI_IP>
```

## Notes

### Disclaimer (cont.)

The products sold by Supermicro are not intended for and will not be used in life support systems, medical equipment, nuclear facilities or systems, aircraft, aircraft devices, aircraft/emergency communication devices or other critical systems whose failure to perform be reasonably expected to result in significant injury or loss of life or catastrophic property damage. Accordingly, Supermicro disclaims any and all liability, and should buyer use or sell such products for use in such ultra-hazardous applications, it does so entirely at its own risk. Furthermore, buyer agrees to fully indemnify, defend and hold Supermicro harmless for and against any and all claims, demands, actions, litigation, and proceedings of any kind arising out of or related to such ultra-hazardous use or sale.